

BR-1 Back Pressure Regulator

Product Overview

The 1/4" PTFE Back Pressure Regulators are designed for use in high purity semiconductor applications, and are also ideally suited for ultra-pure water and aggressive chemicals. The design utilizes a PFA body with precision machined seats.



Features

One piece precision machined diaphragm manufactured from the latest technology modified PTFE.

Provides over five times the flexural life as compared to conventional PTFE.

Non-relieving design requires a 10 psi differential across the valve.

Tongue and groove diaphragm.

Benefits

High cycle life.

Lower replacement costs.

Less downtime.

Stabilizes system pressure. Ideal for use in DI water systems.

Low hysteresis.

Seal provides protection for springs and adjusting screw.

Specifications

Materials of Construction:

Wetted Surfaces - PFA, Modified PTFE
Non Wetted Surfaces - ABS, Brass, SS, PVDF, SS Spring, Chrome Vanadium Die Spring, HDPE.

Pressure Ranges:

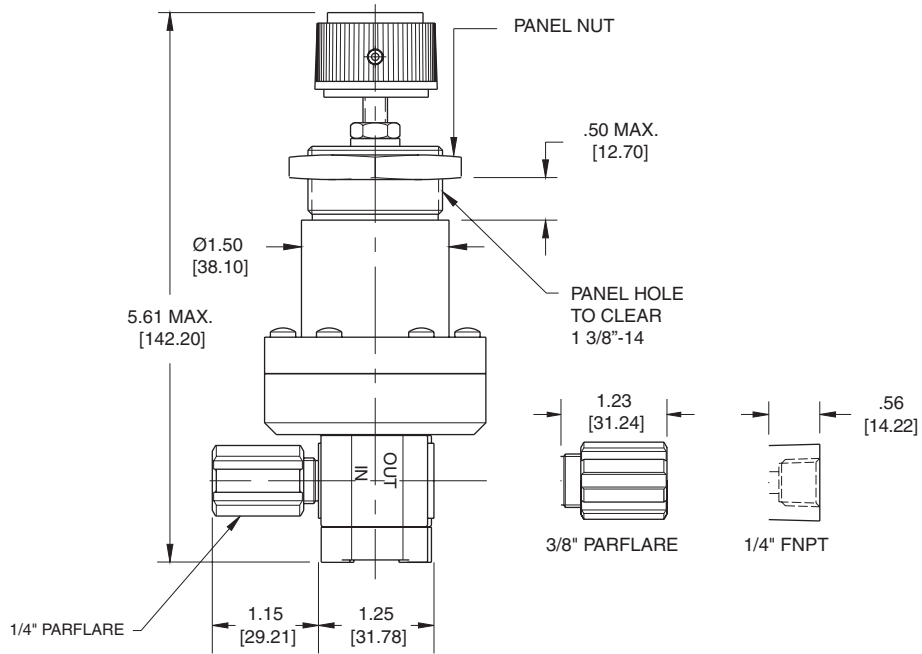
Max Primary Pressure - 120 PSIG (8.3 bar)
Secondary Pressure Options - 0 to 30 PSIG and 0 to 60 PSIG
Pressure ranges above are for operation at ambient temperature. For use at higher temperatures consult Pressure/Temperature chart on page 3.

Temperature Ranges:

0°F - 150°F (-17°C - 66°C) Ambient
0°F - 266°F (-17°C - 130°C) Fluid

BR-1 Back Pressure Regulator

BRACKETED DIMENSIONS
ARE IN mm.



Model Number	Trim Material	Port Configuration	Secondary Pressure-X
BR-1-2214-X	HDPE	1/4" FNPT	1 = 0 to 30 PSIG 2 = 0 to 60 PSIG
BR-1-2264-X		1/4" Parflare	
BR-1-2266-X		3/8" Parflare	